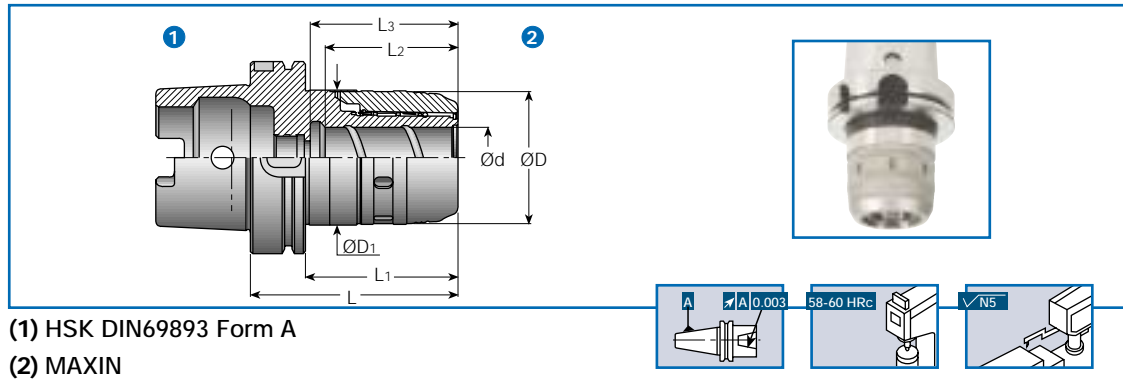
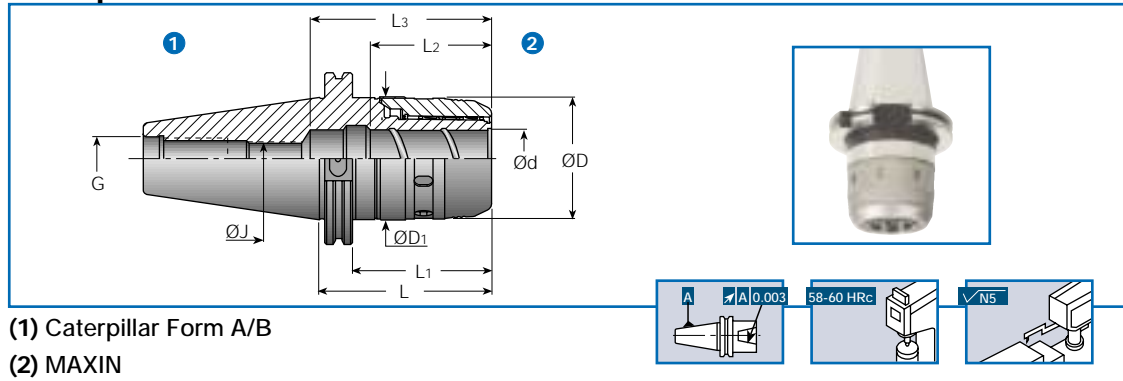


HSK with MAXIN Chuck



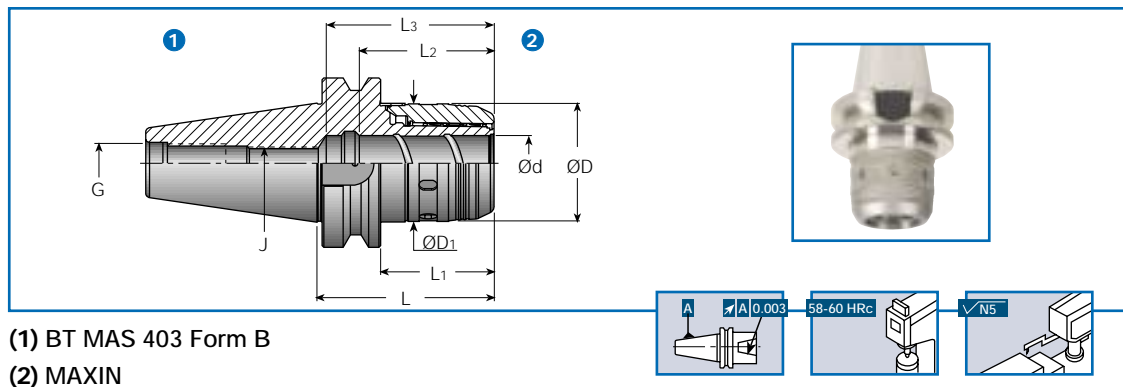
Cat. No.	Designation	d	D	D1	L	L1	L2	L3
4504297	HSK A63 MAXIN 1-1/4x4.448	1-1/4	2.717	2.752	4.448	3.425	2.756	3.346
4504090	HSK A100 MAXIN 1-1/4x4.33	1-1/4	2.717	2.752	4.330	3.189	2.756	4.134

Caterpillar with MAXIN Chuck



Cat. No.	Designation	d	D	D1	L	L1	L2	L3	G	J
4504296	CAT40 MAXIN 1-1/4x4.05	1-1/4	2.717	2.752	4.050	3.300	2.756	2.835	5/8x11UNC	M16x2
4503954	CAT50 MAXIN 1-1/4x4.05	1-1/4	2.717	2.752	4.050	3.300	2.756	4.134	1x8UNC	M20x2

BT with MAXIN Chuck



Cat. No.	Designation	d	D	D1	L	L1	L2	L3	G	J
4504293	BT40 MAXIN 1-1/4x4.133	1-1/4	2.717	2.752	4.250	2.677	2.756	3.268	M16x2	M16x2
4503939	BT50 MAXIN 1-1/4x4.173	1-1/4	2.717	2.752	4.173	2.677	2.756	4.134	M24x3	M20x2

MAXIN Kits

Item No.	Designation	Collet Range
4504416	KIT HSK A63 MAXIN 1-1/4 7	1/4, 5/16, 3/8, 1/2, 5/8, 3/4, 1
4504418	KIT HSK A100 MAXIN 1-1/4 7	1/4, 5/16, 3/8, 1/2, 5/8, 3/4, 1
4504419	KIT CAT40 MAXIN 1-1/4 7	1/4, 5/16, 3/8, 1/2, 5/8, 3/4, 1
4504420	KIT CAT50 MAXIN 1-1/4 7	1/4, 5/16, 3/8, 1/2, 5/8, 3/4, 1
4504425	KIT BT40 MAXIN 1-1/4 7	1/4, 5/16, 3/8, 1/2, 5/8, 3/4, 1
4504426	KIT BT50 MAXIN 1-1/4 7	1/4, 5/16, 3/8, 1/2, 5/8, 3/4, 1

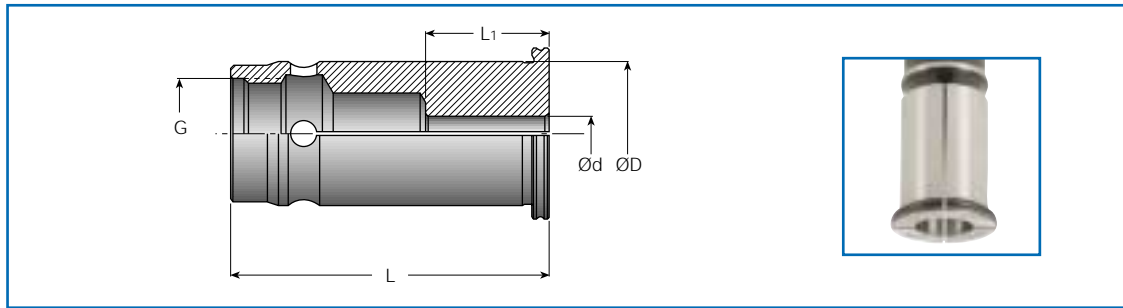


Set MAXIN Collets

Item No.	Designation	Collet Range
4504414	SET SC1-1/4 MAXIN 8	1/4, 5/16, 3/8, 1/2, 5/8, 3/4, 7/8, 1

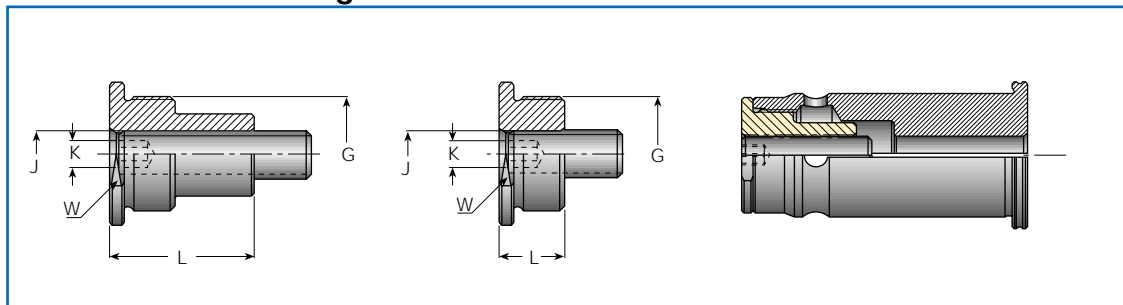


SC Tool Diameter Reduction Sleeves



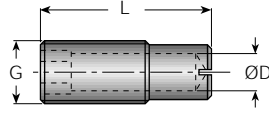
Cat. No.	Designation	d	D	L	L ₁	J
4504312	SC 1-1/14 SPR 1/4	0.250	1.25	2.83	1.10	M10
4504313	SC 1-1/14 SPR 5/16	0.3125	1.25	2.83	1.10	M10
4504314	SC 1-1/14 SPR 3/8	0.375	1.25	2.83	1.38	M10
4504315	SC 1-1/14 SPR 1/2	12.70	1.25	2.83	1.57	M10
4504316	SC 1-1/14 SPR 5/8	0.625	1.25	2.83	1.73	M10
4504317	SC 1-1/14 SPR 3/4	0.750	1.25	2.83	1.81	M10
4504363	SC 1-1/14 SPR7/8	0.875	1.25	2.83	1.97	M10
4504318	SC 1-1/14 SPR 1	1.000	1.25	2.83	2.01	M10

Preset Screw Housing



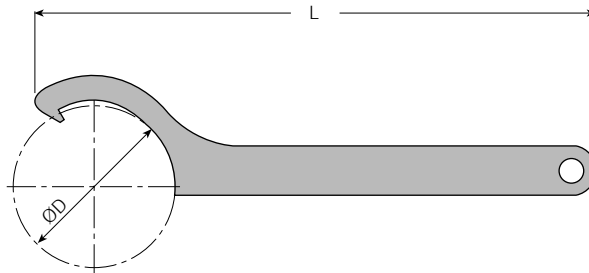
Cat. No.	Designation	L	W	J	G
4504358	PRESET SC CAP 10x1.5	.531	1.063	M10x1.5	M24x1.5
4504360	PRESET SC CAP 10x1.5L	1.181	1.063	M10x1.5	M24x1.5

Preset Screws



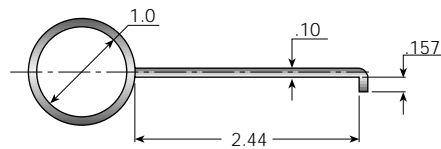
Cat. No.	Designation	G	L	D
4504395	PRESET MAXIN 20x55	M20	2.165	.472
4504396	PRESET MAXIN 16x30	M16	1.181	.315

Wrench for MAXIN



Cat. No.	Designation	D	L
4504183	WRENCH MAXIN 32 HOOK	2.68	9.45

SC Collet Extracting Hook



Cat. No.	Designation
4504401	EXTRACTOR SC COLLETS